

**AIR CONDITIONER**  
**REMOTE CONTROLLER ILLUSTRATION**

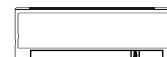
CS406-R51E  
202055090357  
20100119

Thank you very much for purchasing our air conditioner.  
Please read this owner's manual carefully before using  
your air conditioner.

## CONTENTS

Handling the remote controller .....	2
Remote controller Specifications.....	3
Function buttons .....	4
Indicators on LCD .....	6
How to use the buttons .....	7
Auto operation.....	7
Cooling/Heating/Fan operation.....	7
Dehumidifying operation .....	8
Swing operation.....	8
Timer operation.....	9
ECONOMY operation .....	12

### Handling the remote controller



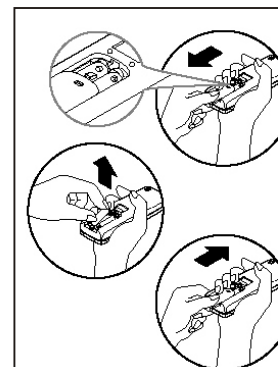
#### Location of the remote controller.

- Use the remote controller within a distance of 8 meters from the appliance, pointing it towards the receiver. Reception is confirmed by a beep.

#### CAUTIONS

- The air conditioner will not operate if curtains, doors or other materials block the signals from the remote controller to the indoor unit.
- Prevent any liquid from falling into the remote controller. Do not expose the remote controller to direct sunlight or heat.
- If the infrared signal receiver on the indoor unit is exposed to direct sunlight, the air conditioner may not function properly. Use curtains to prevent the sunlight from falling on the receiver.
- If other electrical appliances react to the remote controller, either move these appliances or consult your local dealer.

#### Replacing batteries



The remote controller is powered by two dry batteries(R03/LR03X2) housed in the rear part and protected by a cover.

- (1) Remove the cover by pressing and sliding off.
- (2) Remove the old batteries and insert the new batteries, placing the (+) and (-) ends correctly.
- (3) Reattach the cover by sliding it back into position.

**NOTE:** When the batteries are removed, the remote controller erases all programming. After inserting new batteries, the remote controller must be reprogrammed.

### ▲ CAUTIONS

- Do not mix old and new batteries or batteries of a different type. Do not leave the batteries in the remote controller if it is not going to be used for 2 or 3 months.
- Dispose of the old batteries in the special containers to be found in the sales outlets.

### Remote Controller Specifications

Model	R5115/BG(C)E, R5116/BG(C)E, R5117/BG(C)E, R5118/BG(C)E, R5119/BG(C)E; R51110/BG(C)E, R51111/BG(C)E, R51112/BG(C)E;
Rated Voltage	3.0V(Dry batteries R03/LR03 ×2)
Lowest Voltage of CPU Emitting Signal	2.0V
Signal Receiving Range	8m (when using 3.0 voltage, it Gets 11m)
Environment	-5°C ~60°C( -41°F~140°F )

#### NOTE:

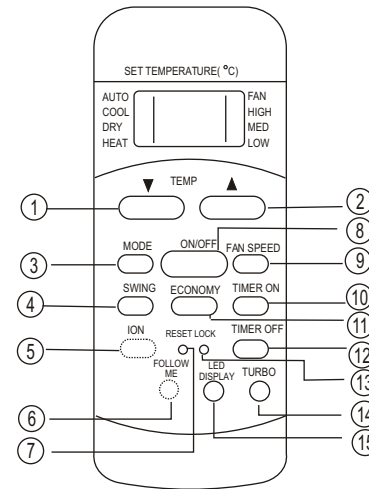
#### Temperature setting display:

Celsius scale( °C): R5115/BG(C)E, R5116/BG(C)E, R5117/BG(C)E, R5118/BG(C)E,  
Fahrenheit scale( °F): R5119/BG(C)E; R51110/BG(C)E, R51111/BG(C)E, R51112/BG(C)E.

### Performance Feature

- Operating Mode: AUTO, COOL, DRY, HEAT(Cooling only model without), and FAN.
- Timer Setting Function in 24 hours.
- Indoor Setting Temperature Range : 17°C~30°C(62°F~88°F).
- Full function of LCD (Liquid Crystal Display)
- Back light emitting.

### Function buttons

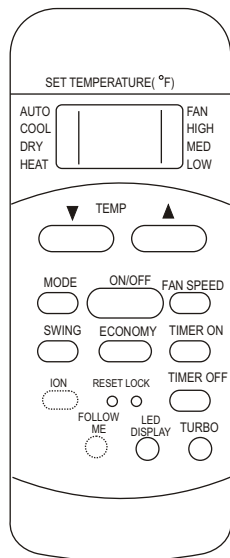


Model: R5115/BG(C)E,  
R5116/BG(C)E,  
R5117/BG(C)E,  
R5118/BG(C)E.

ION and FOLLOW button:  
Optional function.

- TEMP UP Button**  
Push this button to increase the indoor temperature setting in 1°C(2°F) increments to 30°C(88°F).
- TEMP DOWN Button**  
Push this button to decrease the indoor temperature setting in 1°C(2°F) increments to 17°C(62°F).
- MODE Button**  
Each time the button is pressed, the operation mode is selected in the sequence of the following:
- NOTE:** Heat mode is for Cooling & Heating models only.
- SWING Button**  
Used to stop or start louver movement and set the desired up/down airflow direction.
- ION Button(Optional)**  
When push this button, the ion generator is energized and will help to remove pollen and impurities from the air.
- FOLLOW ME Button(Optional)**  
Push this button to initiate the Follow Me function, the remote controller begins to detect the actual temperature at its location. The remote controller will send this signal to the air conditioner every 3 minutes interval until press the Follow Me button again. The air conditioner will beep to indicate the Follow Me feature has ended if it does not receive the signal during any 7 minutes interval.
- RESET Button**  
Once the recessed RESET button is pressed, all of the current settings will be cancelled and the controller will return to the initial settings.
- ON/OFF Button**  
Operation starts when this button is pressed and stops when the button is pressed again.
- FAN SPEED Button**  
Used to select the fan speed in four steps:
- TIMER ON Button**  
Press this button to activate the Auto-on time setting. Each press will increase the time setting

## Function buttons(continued)



Model: R51I9/BG(C)E,  
R51I10/BG(C)E,  
R51I11/BG(C)E,  
R51I12/BG(C)E.

ION and FOLLOW button:  
Optional function.

in 30 minutes increments, up to 10 hours, then at 1 hour increments up to 24 hours. To cancel the Auto-on time setting, just press the button until the time setting is 0.0.

### ⑪ ECONOMY Button

Select this function during the sleeping time. It can maintain the most comfortable temperature and save energy. This function is available on COOL, HEAT or AUTO mode only .

**NOTE:** While the unit is running under Energy-saving mode, it would be cancelled if press MODE, FAN SPEED or ON/OFF button.

### ⑫ TIMER OFF Button

Press this button to activate the Auto-off time setting. Each press will increase the time setting in 30 minutes increments, up to 10 hours, then at 1 hour increments up to 24 hours. To cancel the Auto-off time setting, just press the button until the time setting is 0.0.

### ⑬ LOCK Button

Press this recessed button to lock all current settings, and the remote controller will not accept any operation except that of the LOCK. Use the LOCK mode when you want to prevent settings from being changed accidentally. Press the LOCK button again to cancel the LOCK function. A lock symbol will appear on the remote controller display when the lock function is activated.

### ⑭ Turbo Button

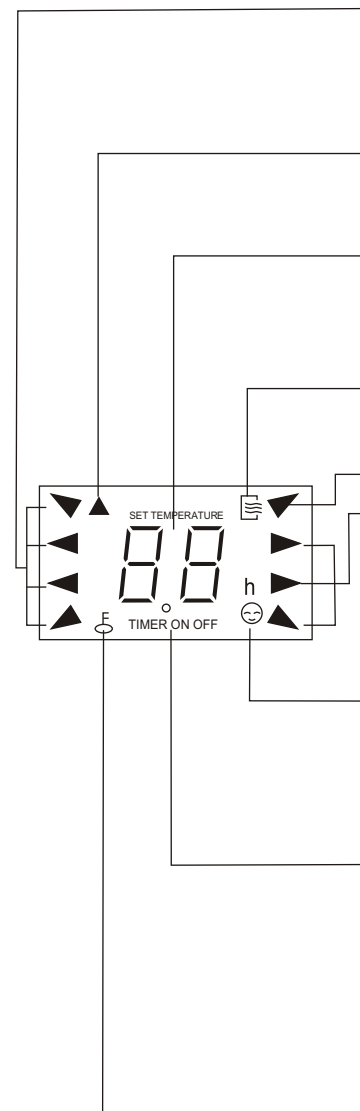
Used to start or stop the speed cooling/heating.(Speed cooling/heating operates super high fan speed in cooling/heating mode.)

**Note:** The unit system will automatically revert back to the previous settings after continue operating under speed cooling mode for about 20 minutes.

### ⑮ LED Display Button

Press this button to clear the display on the indoor unit, press it again to light the display .

## Indicators on LCD



### MODE display

Displays the current selected mode. Including AUTO, COOL, DRY, HEAT (cooling & heating models only) and FAN.

### Transmission Indicator

This transmission indicator will light when remote controller transmits signals to the indoor unit.

### Temp./Timer display

The temperature setting (from 17°C(62°F) to 30°C(88°F)) or timer setting (0~24h) will be displayed. If FAN mode is selected, there will be no display.

### ON/OFF display

This indicator will be displayed when the unit is operating.

### MODE display(FAN mode)

### FAN SPEED display

Displays the selected fan speed: AUTO, HIGH, MED and LOW. Nothing displays when the fan speed is selected in AUTO speed. When AUTO or DRY Mode is selected, there will be no signals displayed.

### FOLLOW ME display(on some models)

When pressing FOLLOW ME button in COOL or HEAT mode, the remote sensing function is activated and this indicator displays.

### TIMER display

This display area shows the settings of the TIMER. That is, if only the Auto-on time function is set, it will display TIMER ON. If only the Auto-off time function is set, it will display TIMER OFF. If both functions are set, it will display TIMER ON OFF which indicates you have chosen both the Auto-on time and Auto-off time.

### LOCK Indicator

LOCK display is displayed when pushing the LOCK button. Push the LOCK button to clear display.

## How to use the buttons

### Auto operation

- Ensure the unit is plugged in and power is available. The OPERATION indicator on the display panel of the indoor unit illuminates.
1. Press the **MODE** button to select Auto.
  2. Press the **TEMP** button to set the desired temperature. The temperature can be set within a range of 17°C(62°F)~ 30°C in 1°C(2°F) increments.
  3. Press the **ON/OFF** button to start the air conditioner.

#### NOTE

1. In the Auto mode, the air conditioner can logically choose the mode of Cooling, Fan, Heating and Dehumidifying by sensing the difference between the actual ambient room temperature and the set temperature on the remote controller.
2. In the Auto mode, you can not switch the fan speed. It has already been automatically controlled.
3. If the Auto mode is not comfortable for you , the desired mode can be selected manually.

### Cooling /Heating/Fan operation

Ensure the unit is plugged in and power is available.

1. Press the **MODE** button to select COOL, HEAT, (cooling & heating models only) or FAN mode.
2. Press the **TEMP** button to set the desired temperature. The temperature can be set within a range of 17°C(62°F)~ 30°C in 1°C(2°F) increments.
3. Press the **FAN SPEED** button to select the fan speed in four steps- Auto, Low, Med, or High.
4. Press the **ON/OFF** button to start the air conditioner.

#### NOTE

In the FAN mode, the setting temperature is not displayed in the remote controller and you are not able to control the room temperature either. In this case, only step 1, 3 and 4 may be performed.

### Dehumidifying operation

Ensure the unit is plugged in and power is available. The OPERATION indicator on the display panel of the indoor unit illuminates.

1. Press the **MODE** button to select DRY mode.
2. Press the **TEMP** button to set the desired temperature. The temperature can be set within a range of 17°C(62°F)~ 30°C in 1°C(2°F) increments.
3. Press the **ON/OFF** button to start the air conditioner.

#### NOTE

In the Dehumidifying mode, you can not switch the fan speed. It has already been automatically controlled.

### Swing operation

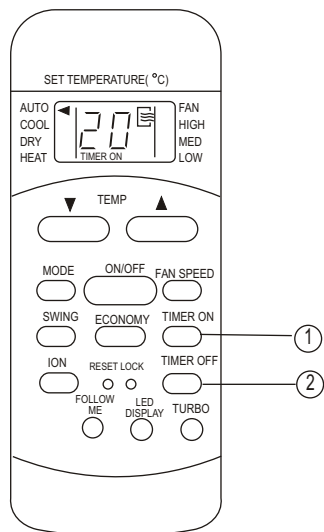
Use the SWING button to adjust the Up/Down airflow direction.

1. When press the button once and quickly, the air flow direction setting feature of the louver is activated. The moving angle of the louver is 6° for each press. Keep pressing the button to move the louver to the desired position.
2. If keep pressing the SWING button without releasing for 2 more seconds, the auto swing feature of the louver is activated. The horizontal louver would swing up/down automatically. Press it again to stop.

**NOTE:** When the louver swing or move to a position which would affect the cooling and heating effect of the air conditioner, it would automatically change the swing/moving direction.

## Timer operation

press the TIMER ON button can set the auto-on time of the unit. And press the TIMER OFF button can set the auto-off time of the unit.



### To set the Auto-on time.

1. Press the TIMER ON button. The remote controller shows TIMER ON, the last Auto-on setting time and the signal "h" will be shown on the LCD display area. Now it is ready to reset the Auto-on time to START the operation.
2. Push the TIMER ON button again to set desired Auto-on time. Each time you press the button, the time increases in 30 minutes increments, up to 10 hours, then at 1 hour increments up to 24 hours.
3. After setting the TIMER ON, there will be a one-half second delay before the remote controller transmits the signal to the air conditioner. Then, after approximately another 2 seconds, the signal "h" will disappear and the set temperature will re-appear on the LCD display window.

### To set the Auto-off time.

1. Press the TIMER OFF button. The remote controller shows TIMER OFF, the last Auto-off setting time and the signal "h" will be shown on the LCD display area. Now it is ready to reset the Auto-off time to START the operation.
2. Push the TIMER OFF button again to set desired Auto-off time. Each time you press the button, the time increases in 30 minutes increments, up to 10 hours, then at 1 hour increments up to 24 hours.
3. After setting the TIMER OFF, there will be a one-half second delay before the remote controller transmits the signal to the air conditioner. Then, after approximately another 2 seconds, the signal "h" will disappear and the set temperature will re-appear on the LCD display window.

## IMPORTANT

- The effective operation time set by the remote controller for the timer function is limited to the following settings: 0.5, 1.0, 1.5, 2.0, 2.5, 3.0, 3.5, 4.0, 4.5, 5.0, 5.5, 6.0, 6.5, 7.0, 7.5, 8.0, 8.5, 9.0, 9.5, 10, 11, 12, 13, 14, 15, 16, 17, 18, 19, 20, 21, 22, 23 and 24.

## Example of Timer setting

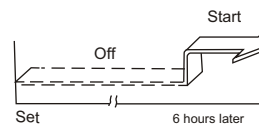
### TIMER ON (Auto-on Operation)

The TIMER ON feature is useful when you want the unit to turn on automatically before you return home. The air conditioner will automatically start operating at the set time.

### Example:

To start the air conditioner in 6 hours.

1. Press the TIMER ON button, the last setting of starting operation time and the signal "h" will show on the display area.
2. Press the TIMER ON button to display "6:0h" on the TIMER ON display of the remote controller.
3. Wait for about 3 seconds and the digital display area will show the temperature again. Now this function is activated.

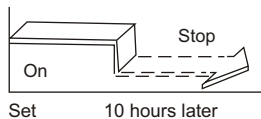




## TIMER OFF

### (Auto-off Operation)

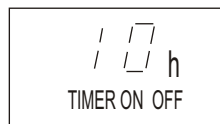
The TIMER OFF feature is useful when you want the unit to turn off automatically after you go to bed. The air conditioner will stop automatically at the set time.



### Example:

To stop the air conditioner in 10 hours.

1. Press the TIMER OFF button, the last setting of stopping operation time and the signal "h" will show on the display area.
2. Press the TIMER OFF button to display "10h" on the TIMER OFF display of the remote controller.
3. Wait for about 3 seconds and the digital display area will show the temperature again. Now this function is activated.



## COMBINED TIMER

(Setting both ON and OFF timers simultaneously)

TIMER OFF → TIMER ON

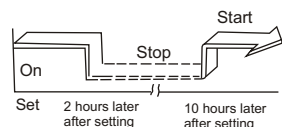
(On → Stop → Start operation)

This feature is useful when you want to stop the air conditioner after you go to bed, and start it again in the morning when you wake up or when you return home.

### Example:

To stop the air conditioner 2 hours after setting and start it again 10 hours after setting.

1. Press the TIMER OFF button.
2. Press the TIMER OFF button again to display 2.0h on the TIMER OFF display.
3. Press the TIMER ON button.
4. Press the TIMER ON button again to display 10h on the TIMER ON display.
5. Wait for the remote control to display the setting temperature.



TIMER ON → TIMER OFF

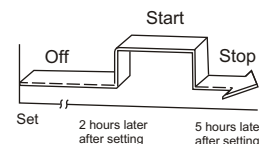
(Off → Start → Stop operation)

This feature is useful when you want to start the air conditioner before you wake up and stop it after you leave the house.

### Example:

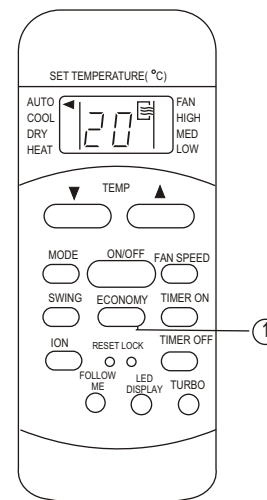
To start the air conditioner 2 hours after setting, and stop it 5 hours after setting.

1. Press the TIMER ON button.
2. Press the TIMER ON button again to display 2.0h on the TIMER ON display.
3. Press the TIMER OFF button.
4. Press the TIMER OFF button again to display 5.0h on the TIMER OFF display.
5. Wait for the remote control to display the setting temperature.



### CAUTION

- The timer setting(TIMER ON or TIMER OFF) that in sequence occurs directly after the set time will be activated first.



## ECONOMY(SLEEP) operation

When you press the ECONOMY button, the economic running function will be activated, the set temperature will increase(cooling) or decrease(heating) by 1°C(2°F) over the next 30 minutes and by another 1°C(2°F) after an additional 30 minutes. This new temperature will be maintained for 7 hours before it returns to the originally selected temperature.(NOTE: On some models, the set temperature will increase (cooling) or decrease(heating) by 1°C(2°F) per hour for 2 hours. This new temperature will be maintained for 5 hours, then the unit is off.)

**NOTE:** The ECONOMY/SLEEP function is only available under Cooling, Heating and AUTO operation.